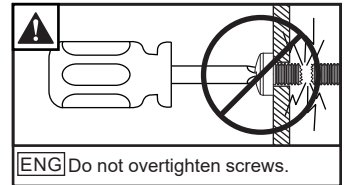
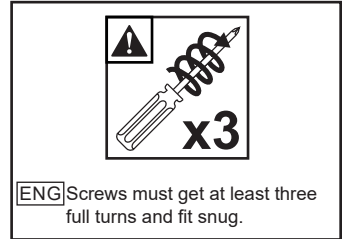
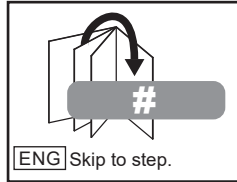


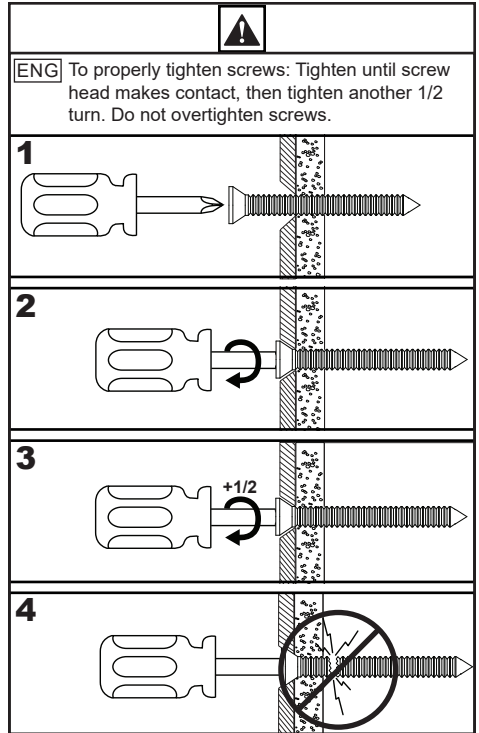
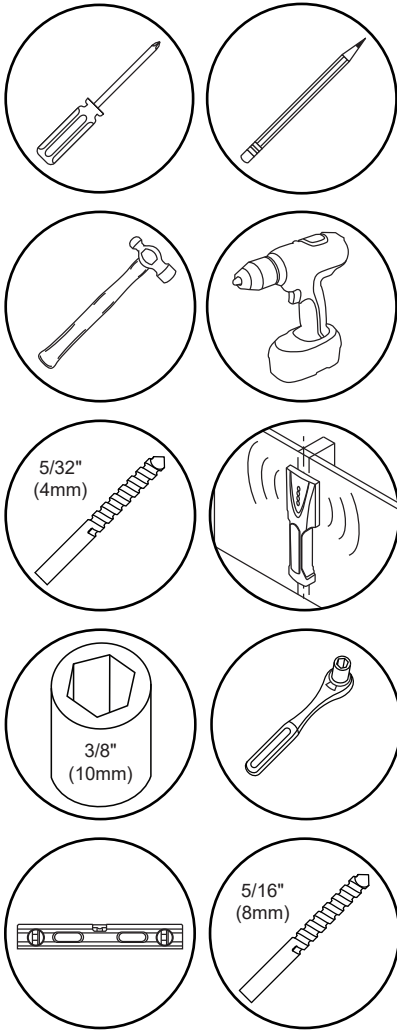
▲ WARNING

ENG - Do not begin to install product until you have read and understood the instructions and warnings contained in this user guide. This product is designed to be installed on wood stud, solid concrete or cinder block walls. Hardware is included for wood stud, solid concrete and cinder block installation. Before installing make sure the supporting surface will support the combined load of the equipment and hardware. Screws must be tightly secured. Do not overtighten screws or damage can occur and product may fail. Never exceed the Maximum Load Capacity. Always use an assistant or mechanical lifting equipment to safely lift and position equipment. This product is intended for indoor use only. Use of this product outdoors could lead to product failure or personal injury. To reduce the risk of electric shock or fire, do not expose product to water or moisture. Be sure power cord is routed so that it will not be tripped on, stepped on, or pinched by heavy items. Avoid overloading electrical outlets or extension cords. Always disconnect the power cord from the power outlet when installing, servicing, or not using the product for an extended period of time. Do not block ventilation slots or fan exhaust on product. Blocking airflow could damage product. Arrange product to allow air to flow freely around product. Keep product away from direct sunlight or any source of heat. For support please call 1-800-865-2112.

ENG Symbols



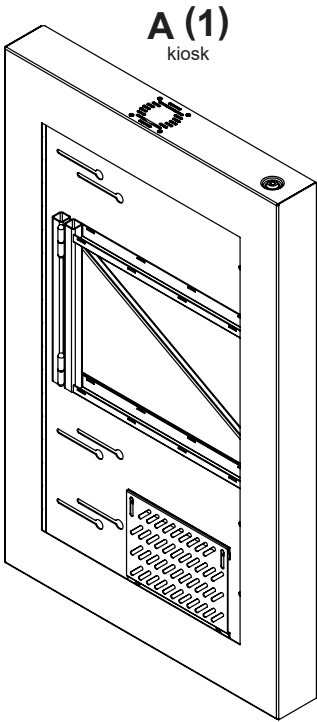
ENG Tools Needed for Assembly.



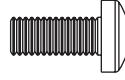
ENG Parts (Before beginning, make sure you have all parts shown below).

| Parts List | | KIP640 | KIP642 | KIP643 | KIP646 | KIP647 |
|----------------------------------|------------|----------------------------|----------------------------|---------------------------|----------------------------|----------------------------|
| Description | Qty | KIP640-S Part # | KIP642-S Part # | KIP643-S Part# | KIP646-S Part # | KIP647-S Part # |
| A kiosk BLK | 1 | 150-P1706 | 150-P1707 | 150-P1658 | 150-P1702 | 150-P1703 |
| kiosk SLV | | 150-4706 | 150-4707 | 150-4658 | 150-4702 | 150-4703 |
| B M5 x 12mm pan phl screw | 4 | 520-1027 | 520-1027 | 520-1027 | 520-1027 | 520-1027 |
| C M5 X 25mm pan phl screw | 4 | 520-9543 | 520-9543 | 520-9543 | 520-9543 | 520-9543 |
| D M6 x 12mm pan phl screw | 4 | 520-1128 | 520-1128 | 520-1128 | 520-1128 | 520-1128 |
| E M6 x 25mm pan phl screw | 4 | 520-1208 | 520-1208 | 520-1208 | 520-1208 | 520-1208 |
| F M8 x 12mm pan phl screw | 4 | 520-9571 | 520-9571 | 520-9571 | 520-9571 | 520-9571 |
| G M8 x 25mm pan phl screw | 4 | 520-1031 | 520-1031 | 520-1031 | 520-1031 | 520-1031 |
| H M5/M4/M6 multi washer | 4 | 580-1398 | 580-1398 | 580-1398 | 580-1398 | 580-1398 |
| I 1/4"spacer | 4 | 540-1059 | 540-1059 | 540-1059 | 540-1059 | 540-1059 |
| J key | 2 | 565-0049A | 565-0049A | 565-0049A | 565-0049A | 565-0049A |
| K 4mm allen wrench | 1 | 560-9646 | 560-9646 | 560-9646 | 560-9646 | 560-9646 |
| L 8mm concrete anchor | 4 | 590-0320 | 590-0320 | 590-0320 | 590-0320 | 590-0320 |
| M #14 x 2.5" wood screw | 4 | 5S1-015-C03 | 5S1-015-C03 | 5S1-015-C03 | 5S1-015-C03 | 5S1-015-C03 |
| N adaptor bracket | 2 | 150-T1689 | 150-T1689 | 150-T1689 | 150-T1689 | 150-T1689 |
| O power strip | 1 | 600-0370 | 600-0370 | 600-0370 | 600-0370 | 600-0370 |
| P cable tie | 6 | 560-1756 | 560-1756 | 560-1756 | 560-1756 | 560-1756 |

| Parts List | | KIP648 | KIP649 | KIP655 |
|----------------------------------|------------|----------------------------|----------------------------|---------------------------|
| Description | Qty | KIP648-S Part # | KIP649-S Part # | KIP655-S Part# |
| A kiosk BLK | 1 | 150-P1704 | 150-P1815 | 150-P1705 |
| kiosk SLV | | 150-4704 | 150-4815 | 150-4705 |
| B M5 x 12mm pan phl screw | 4 | 520-1027 | 520-1027 | 520-1027 |
| C M5 X 25mm pan phl screw | 4 | 520-9543 | 520-9543 | 520-9543 |
| D M6 x 12mm pan phl screw | 4 | 520-1128 | 520-1128 | 520-1128 |
| E M6 x 25mm pan phl screw | 4 | 520-1208 | 520-1208 | 520-1208 |
| F M8 x 12mm pan phl screw | 4 | 520-9571 | 520-9571 | 520-9571 |
| G M8 x 25mm pan phl screw | 4 | 520-1031 | 520-1031 | 520-1031 |
| H M5/M4/M6 multi washer | 4 | 580-1398 | 580-1398 | 580-1398 |
| I 1/4"spacer | 4 | 540-1059 | 540-1059 | 540-1059 |
| J key | 2 | 565-0049A | 565-0049A | 565-0049A |
| K 4mm allen wrench | 1 | 560-9646 | 560-9646 | 560-9646 |
| L 8mm concrete anchor | 4 | 590-0320 | 590-0320 | 590-0320 |
| M #14 x 2.5" wood screw | 4 | 5S1-015-C03 | 5S1-015-C03 | 5S1-015-C03 |
| N adaptor bracket | 2 | 150-T1689 | 150-T1689 | 150-T1689 |
| O power strip | 1 | 600-0370 | 600-0370 | 600-0370 |
| P cable tie | 6 | 560-1756 | 560-1756 | 560-1756 |



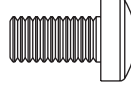
B (4)
M5 x 12 mm



C (4)
M5 x 25 mm



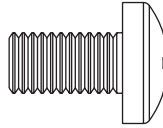
D (4)
M6 x 12 mm



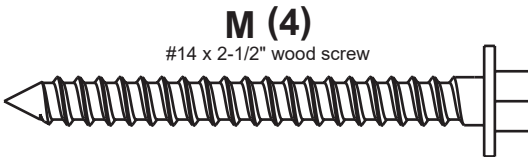
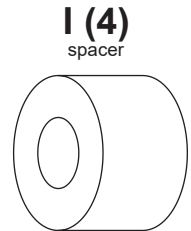
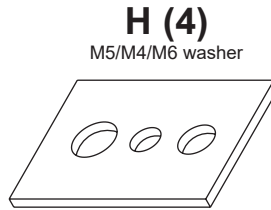
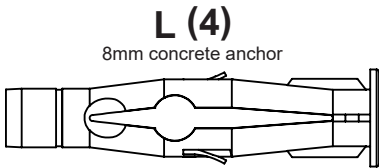
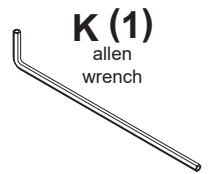
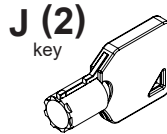
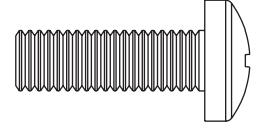
E (4)
M6 x 25 mm



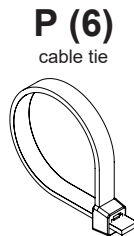
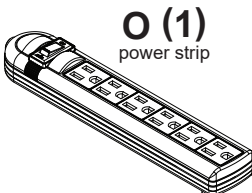
F (4)
M8 x 12 mm



G (4)
M8 x 25 mm

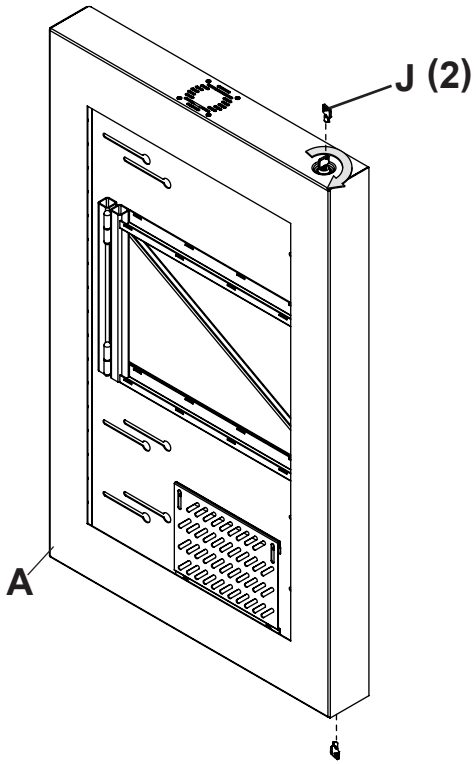


N (2)
adaptor bracket

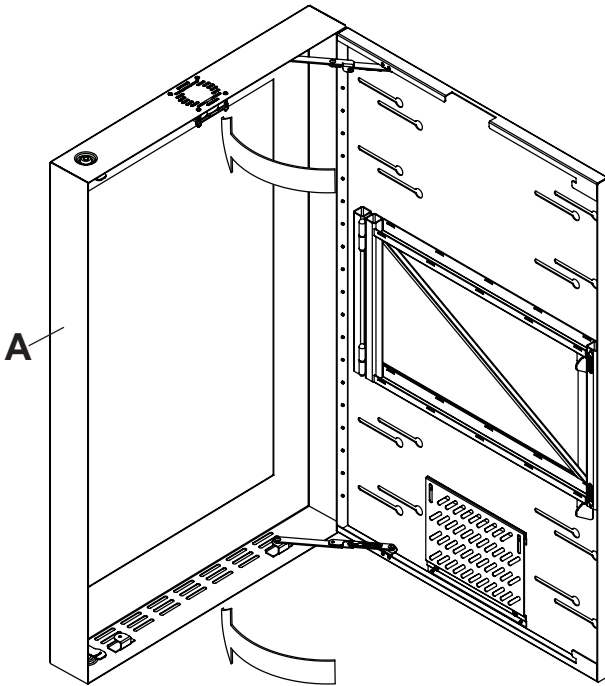


ENG This page intentionally left blank.

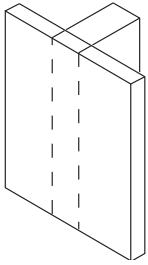
1



2



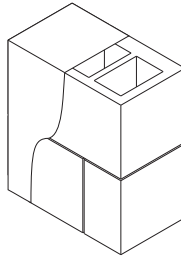
3



ENG Wood stud wall.



3a



ENG Concrete/Cinder block.



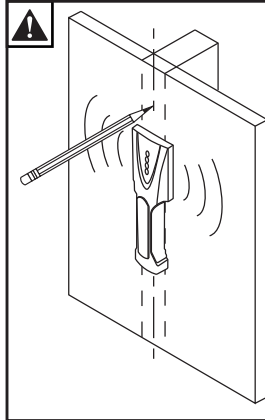
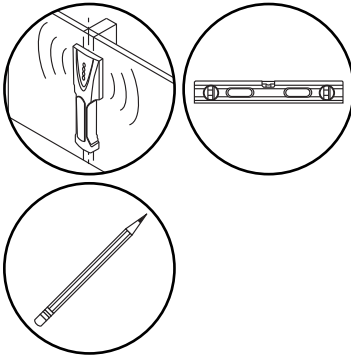
3b

3a

▲ WARNING

ENG - When installing Peerless wall mounts on a wood stud wall covered with gypsum board (drywall), verify that the wood studs are a minimum of 2" x 4" nominal size. Do not install over gypsum board thicker than 5/8".

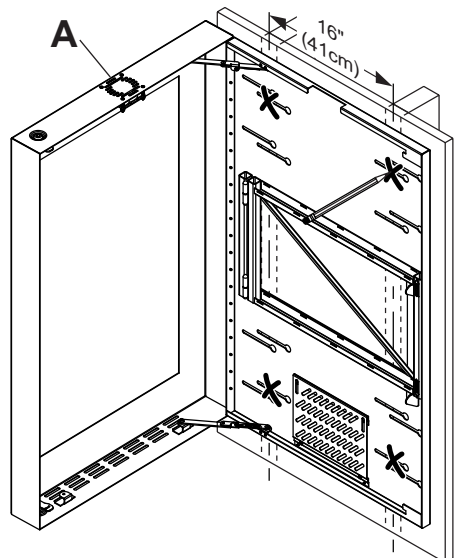
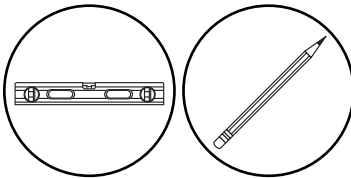
3a-1



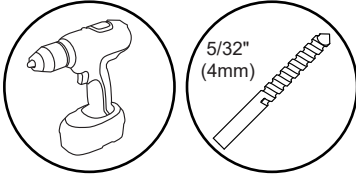
ENG Use stud finder to locate and mark stud center lines.

3a-2

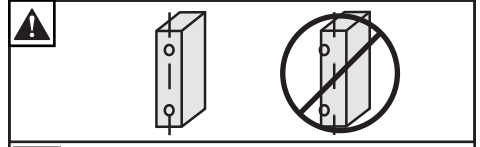
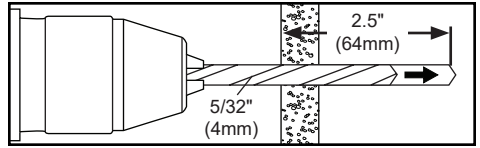
ENG Level wallplate. Mark mounting holes on stud center lines.



3a-3



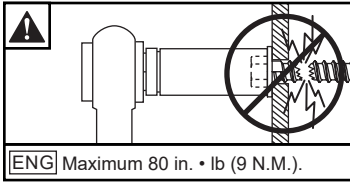
ENG Drill mounting holes into supporting surface (2.5" (64 mm) minimum depth required).



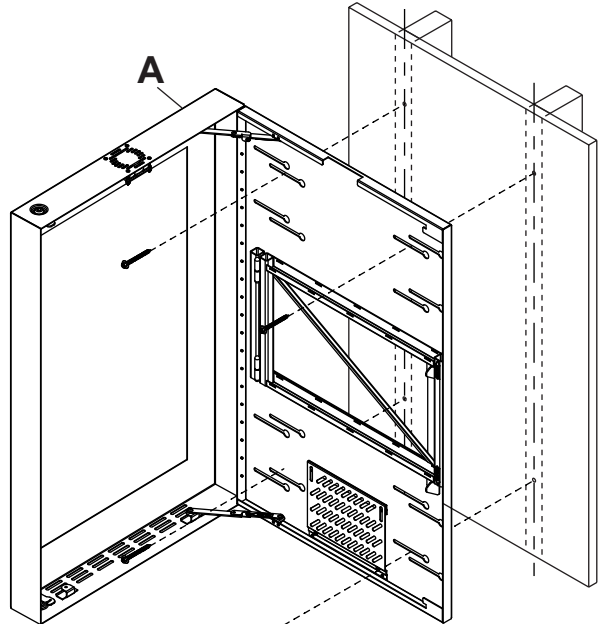
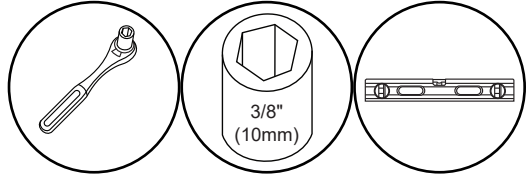
ENG Mounting hole must center on stud.

3a-4

ENG Level wallplate. Install using wood screws provided.



ENG Maximum 80 in. • lb (9 N.M.).



M (4)

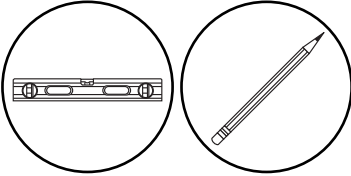


3b

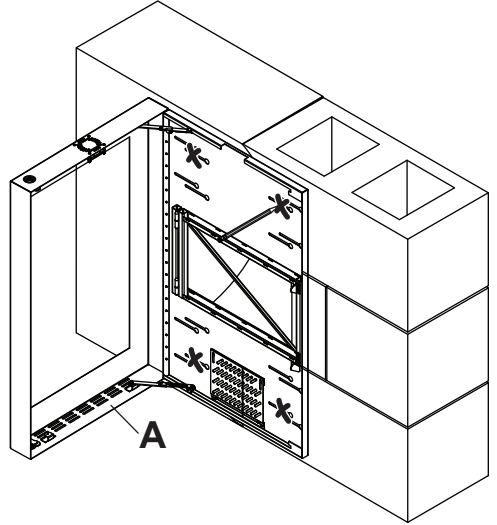
▲ WARNING

ENG - When installing Peerless wall mounts on a concrete wall, the wall must be at least 8" thick with a minimum compressive strength of 2000 psi. When installing Peerless wall mounts on a cinder block wall, the cinder blocks must meet ASTM C-90 specifications and have a minimum nominal width of 8". Do not drill into mortar joints! Be sure to mount in a solid part of the block, generally 1" (25 mm) minimum from the side of the block. It is suggested that a standard electric drill on slow setting is used to drill the hole instead of a hammer drill to avoid breaking out the back of the hole when entering a void or cavity. Never attach concrete expansion anchors to concrete or cinder block covered with plaster, drywall or other finishing material.

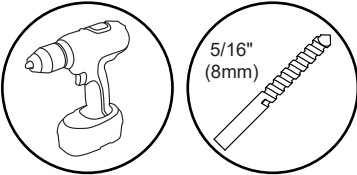
3b-1



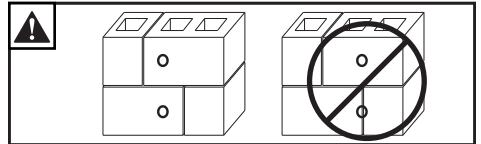
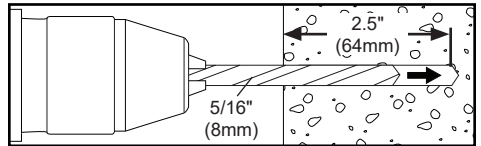
ENG Level wallplate. Mark mounting holes.



3b-2

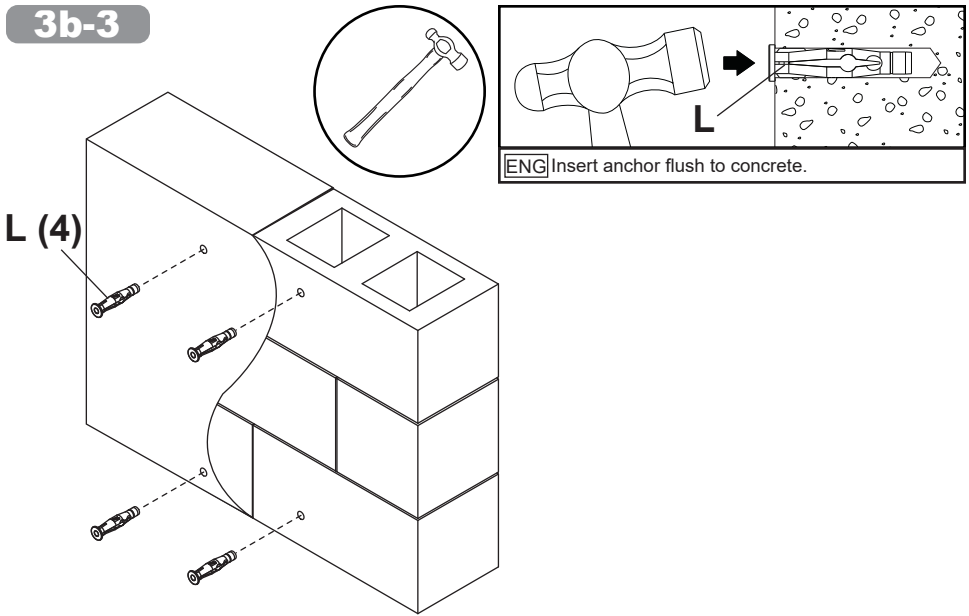


ENG Drill mounting holes into supporting surface (2.5" (64 mm) minimum depth required).

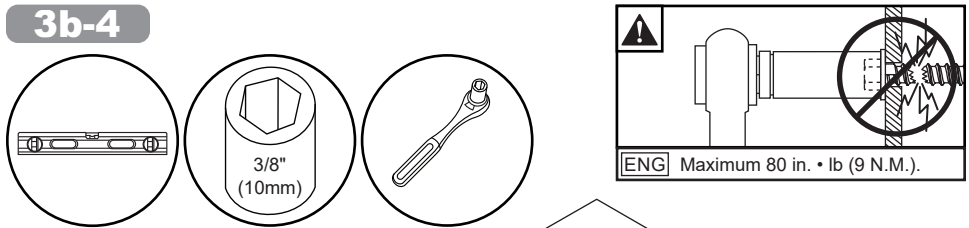


ENG Do not drill into mortar joints.

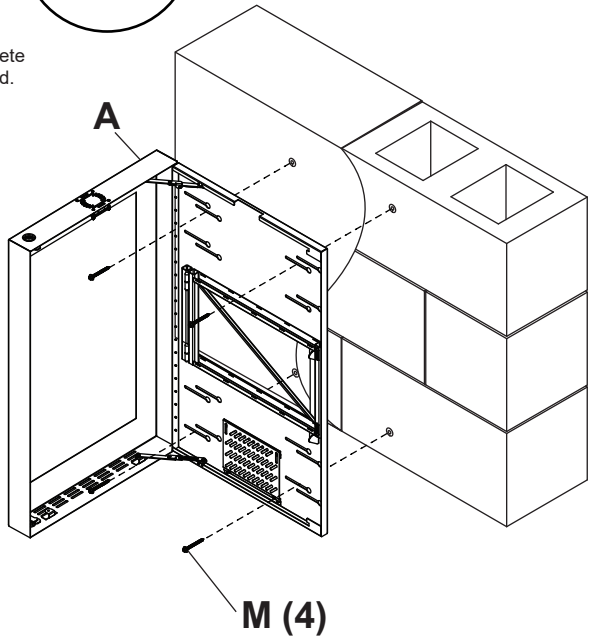
3b-3



3b-4

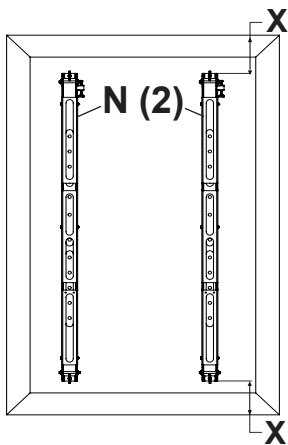


ENG Level wallplate. Install using concrete anchors and wood screws provided.



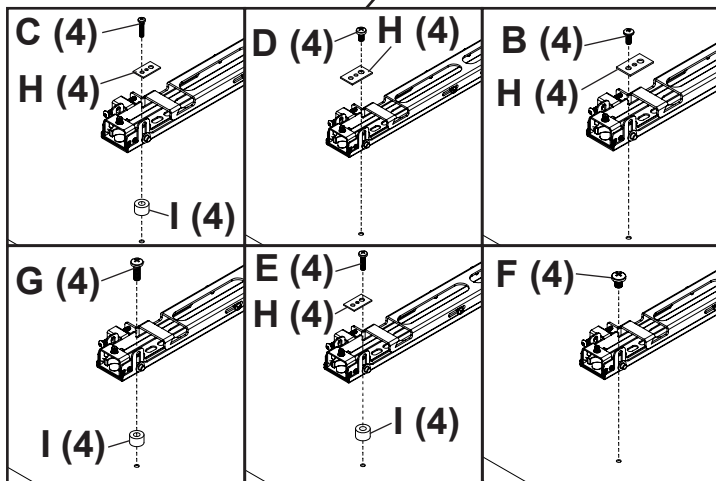
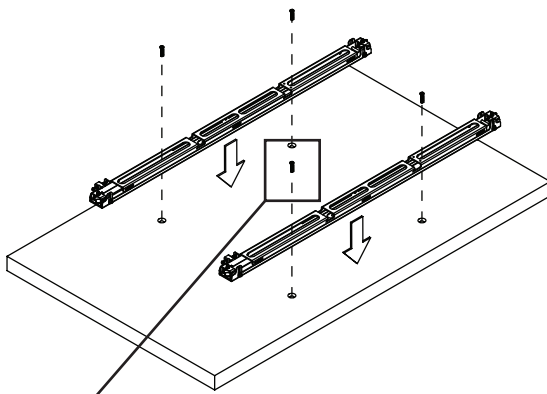
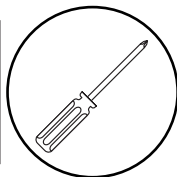
4

ENG Center adaptor brackets vertically on back of screen.

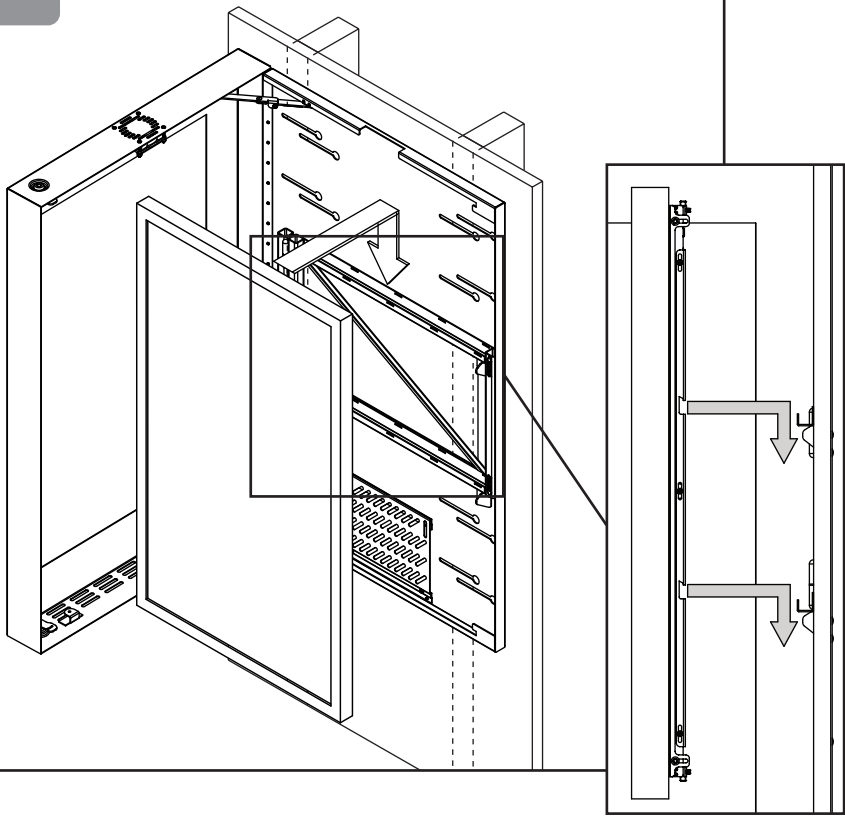


5

ENG If adapter brackets interfere with display peripherals (plugs, etc.), use spacers provided. Consider the depth of the display and spacer when determining if the display will fit within the kiosk.



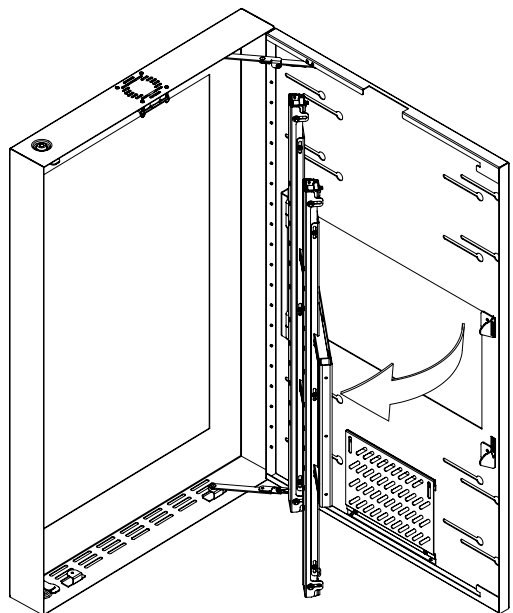
6

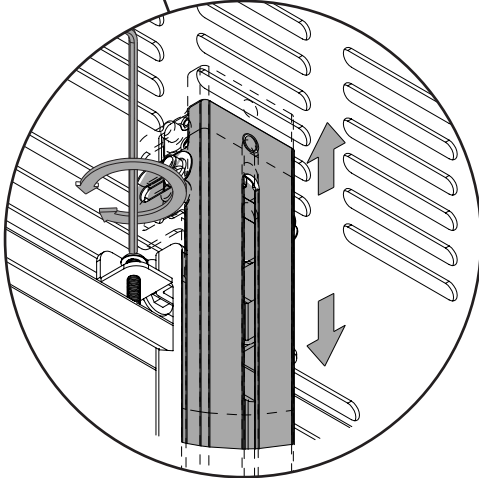
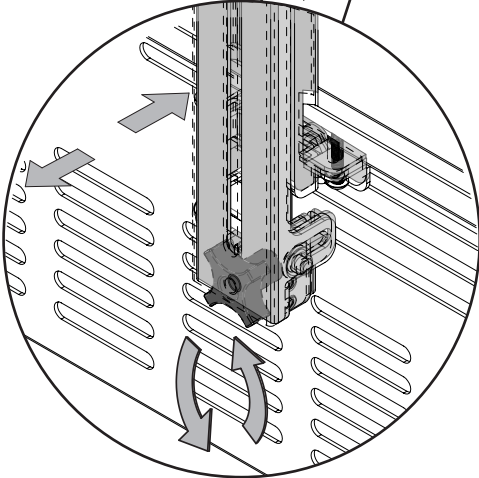
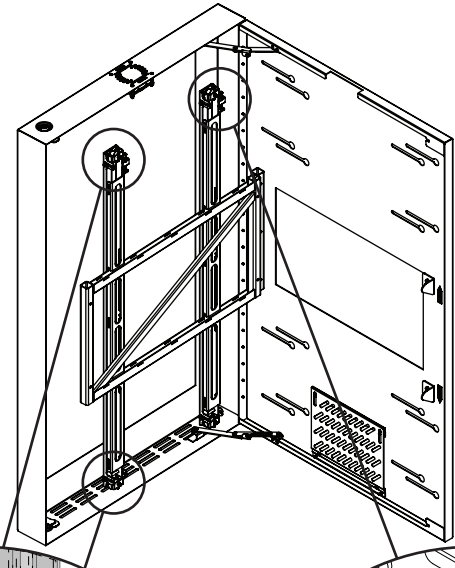
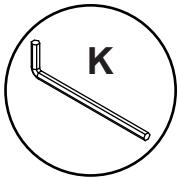


SIDE VIEW

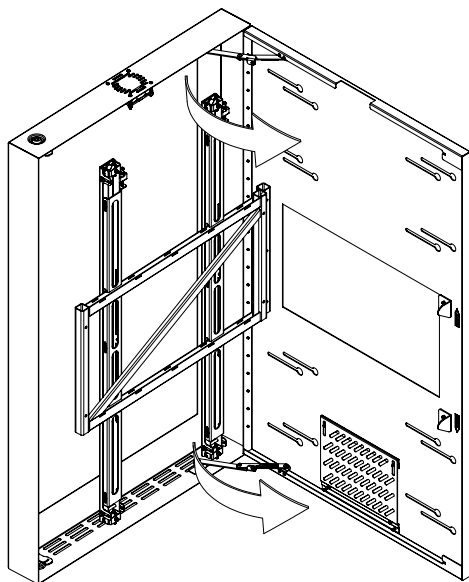
7

ENG Note: Mounting Arm swings out to access adapter brackets and behind display

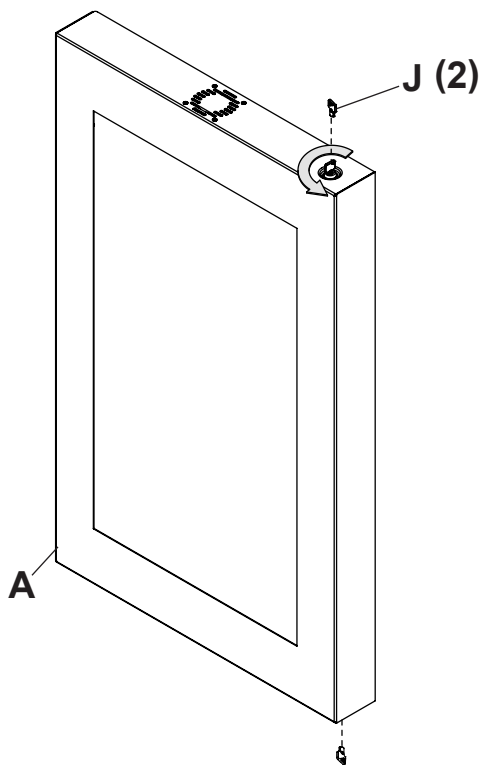




9



10



ENG Warranty
ITL Garanzia

ESP Garantía
ČES Záruka

FRN Garantie
SLK Záruka

DEU Garantie
POR Garantia

NEL Garantie
TÜR Garanti

www.peerless-av.com/warranty

peerless-AV[®]

Peerless-AV

2300 White Oak Circle
Aurora, IL 60502
Email: tech@peerlessmounts.com
Ph: (800) 865-2112
Fax: (800) 359-6500
www.peerless-av.com

© 2020, Peerless Industries, Inc.

Peerless-AV Europe

Unit 3 Watford Interchange,
Colonial Way, Watford, Herts,
WD24 4WP, United Kingdom
Customer Care
44 (0) 1923 200 100
www.peerless-av.com

© 2020, Peerless Industries, Inc.

Peerless-AV América Latina

Av. de las Industrias 413
Parque Industrial Escobedo
General Escobedo N.L., México 66062
Servicio al Cliente
01-800-849-65-77
www.peerless-av.com

© 2020, Peerless Industries, Inc.